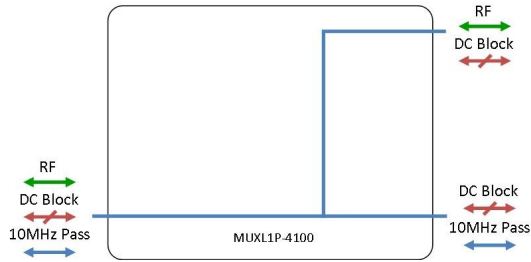




RF Components

IP67 L-Band Multiplexer

850 - 2150 MHz



Model Number:
ODU-4100

- Multiplexes L-band & 10MHz onto Port1
- All ports DC blocked

Available with RF connector options:

- 50 Ω SMA
- 50 Ω N-type
- 50 Ω TNC



Compact & Waterproof

Housed in IP67 rated waterproof enclosure*



850-2150 MHz
Operating frequency range. L-Band ready



Flexible Mounting
Through hole mounting options

Multiplexer

RF Parameters			
ODU-4100-XXXXXX	S5S5S5	N5N5N5	T5T5T5
Frequency Range	850-2150 MHz		
RF Connectors	50Ω SMA	50Ω N-Type	50Ω TNC
Common Port:			
Mean Insertion Loss (dB)	≤ 0.5	≤ 0.5	≤ 0.7
Flatness ± (dB)	0.1	0.1	0.2
Return Loss (dB)	Typ	20	18
	Min	14	14
L-Band Port :			
Return Loss (dB)	Typ	20	18
	Min	14	14
10MHz :			
Mean Insertion Loss (dB)	≤ 0.2	≤ 0.2	≤ 0.2
Isolation (dB)	25	25	25

Broadcast



Marine Oil & Gas



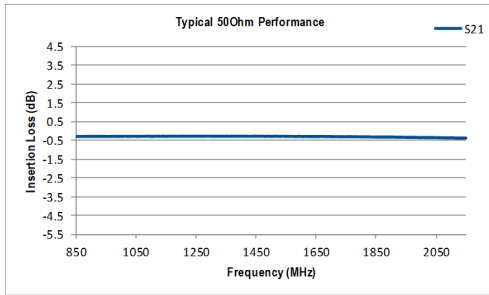
SNG & VSAT



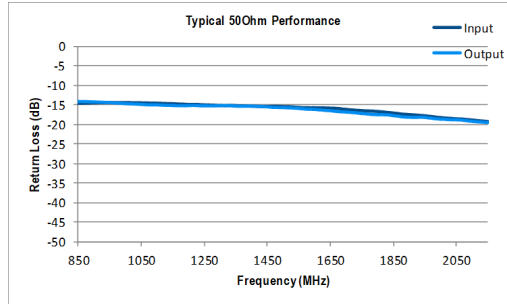
Satellite Teleport



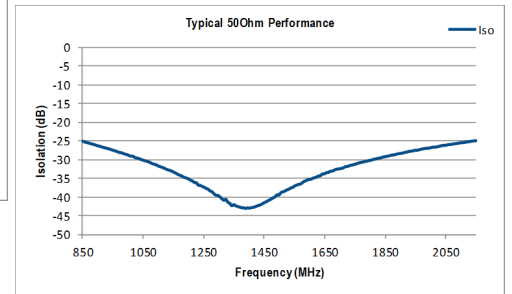
Technical specifications and operating parameters



Insertion Loss (dB)



Return Loss (dB)



Isolation (dB)

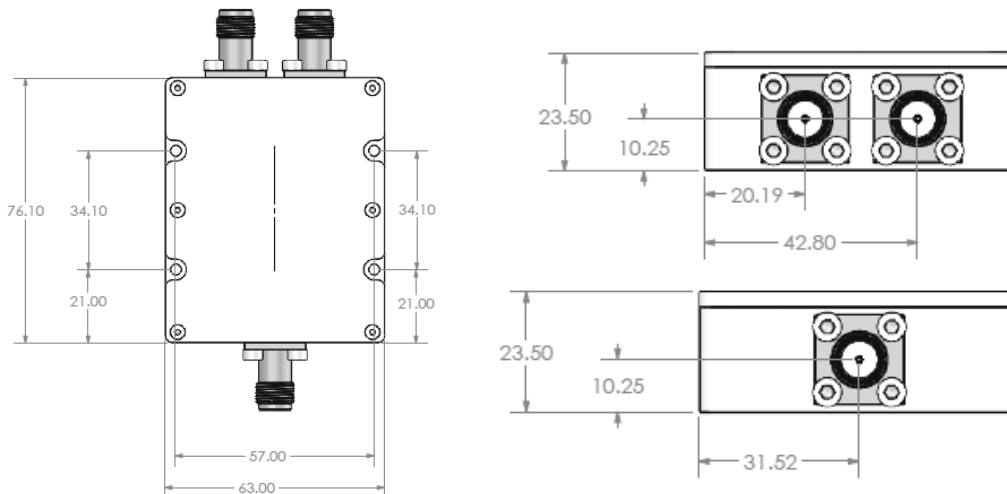
Environmental		
Operating Temperature		-40 to +85 °C
Storage Temperature		-50 to +100 °C
Location		Indoor / Outdoor IP67* use
Humidity	Max.	100% non-condensing
Altitude	Max.	12,000 feet Operational 40,000 feet Survival

Max Operating Parameters	
Input RF Power into matched load with 20dB return loss	+37dBm (5W) as splitter +27dBm (500mW) as combiner
DC Voltage	24V on any RF port

*IP67 integrity is maintained by populating all ports with sufficiently rated connectors and that unused ports have IP67 terminators or dust caps when awaiting connection. Dust caps are not sold with this product.

! Operation beyond these limits may cause instantaneous and permanent damage.

Physical Dimensions (mm)



Note: The specification is subject to regular reviews and will be updated from time to time as part of our continuing product development and improved specification accuracy.